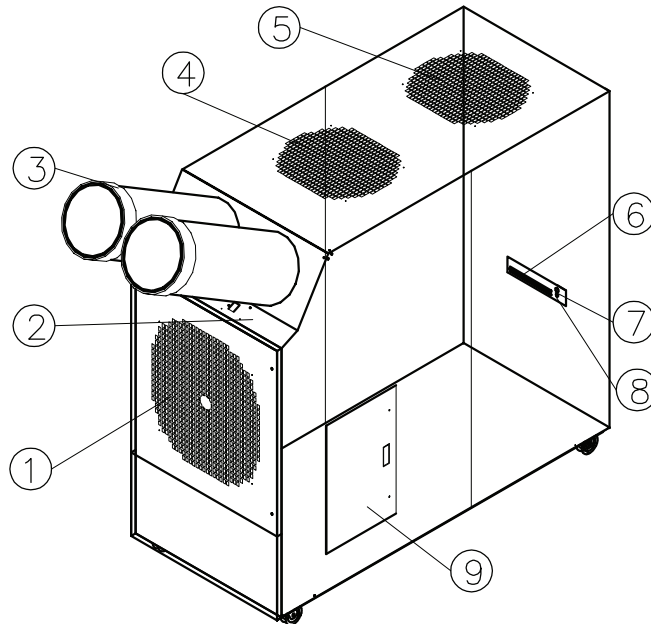


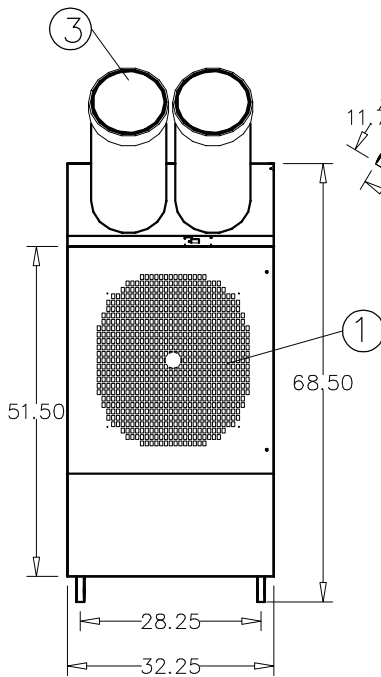
SAC12023

Legend

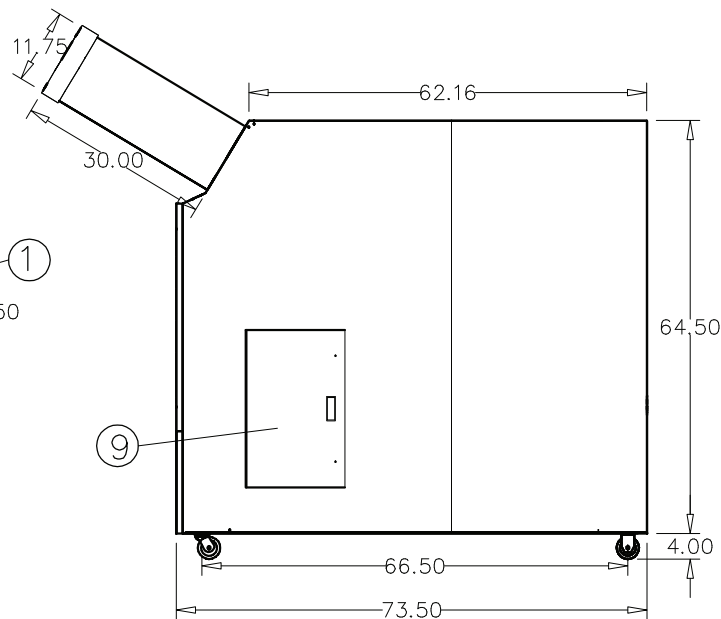
- 1 Return Air
- 2 Control Pad
- 3 Cold Air Supply
- 4 Condenser Air Inlet
- 5 Condenser Air Outlet
- 6 Power Cord
- 7 Condensate Nipple
- 8 Condensate Alarm Jack
- 9 Access Door



Isometric View



Front View



Right View





PENN RADIANT PRODUCTS

SPECIFICATIONS

Model SAC12023 - 10 Ton

1-800-438-2503

COOLING CAPACITY		
BTU/hr @ 95 F at 60%RH	120,000 (10 TONS)	
COMPRESSOR DATA		
Compressor Type	HERMETIC RECIP./2 STAGE	
Operating Temperatures	60-110 F .50%RH	
Refrigerant	R-22	
FAN DATA		
EVAPORATOR		
Fan Type (Centrifugal)	BELT DRIVE	
Air Flow (CFM)	1800/3800	
Supply Air Chute Data	2-12"Dia.x30"Length	
Supply Air Chute Max. Length	50'	
Motor HP	3	
CONDENSER		
I/O Intergral Condenser - In/Out	BALANCED AIR FLOW	
Fan Type (Centrifugal)	BELT DRIVE	
Air Flow (CFM)	5000	
Condenser Duct Data (Optional)	2-20"Dia.x8'Length	
Condenser Duct Max. Length	85'	
Motor HP	7 1/2	
ELECTRICAL DATA		
Power Supply (Volts)	230-3-Phase	
Current Consumption (Amps)	64.8	
Power Consumption (KW)	15	
Maximum Circuit Breaker (Amps)	80	
Minimum Circuit Ampacity (Amps)	69.7	
Min/Max Voltage	195-225/210-250	
Power Cord Gauge/Length	6 AWG/10	
Plug Configuration	FIELD SUPPLIED	
DIMENSIONAL DATA		
Unitary Models	Width x Depth x Height (Inches)	32.25X73.5X68.5
	Weight (Lbs.)	1075
	Shipping Weight (Lbs.)	1200
	Ceiling Kit - CK-60 Weight	56
	Total Shipping Weight/w Ceiling Kit	1271
SAFETY DEVICE DATA		
Compressor Overload	INTERNAL	
Fan Motor Overload	AUTOMATIC INTERNAL	
Evaporator Freeze-up	HOT GAS BYPASS	
High Pressure Switch	MANUAL	
Low Pressure Switch	AUTOMATIC	
Compressor Short Cycle	YES	
Automatic Restart	YES	
Thermostat	MICROPROCESSOR/ DIGITAL	
Condensate Pump w 20' Head Pres.	YES	
Condensate Pump Overflow	YES	
Condensate Tank Overflow	YES	

